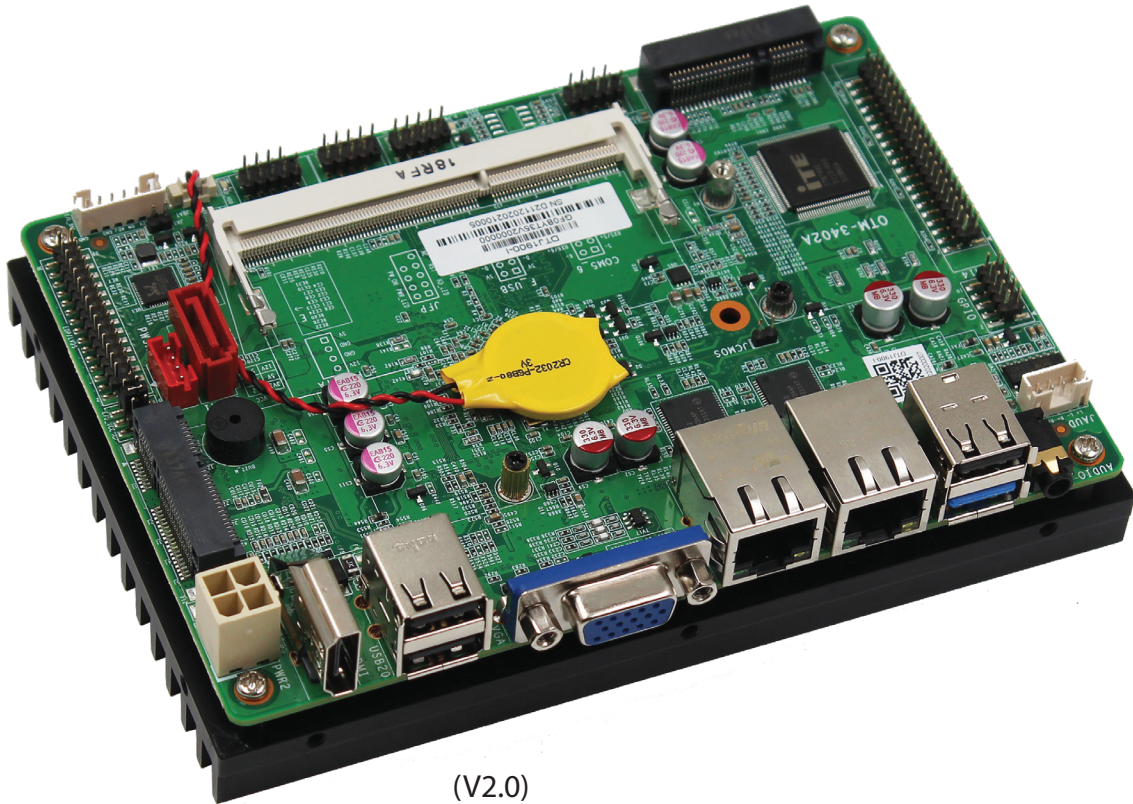


BYT-35

Intel® Bay Trail based 3.5" Disk Size Motherboard



Features

- CPU: Intel Bay Trail BGA processor
- Memory: Single Channel SO-DIMM DDR3L up to 8GB
- Display: Integrated Graphics display via VGA, HDMI, eDP/LVDS
- Ethernet: 10/100/1000Mbps
- Storage: SATA2.0, mSATA
- Expansion: mini PCIe for WiFi, Mirco SIM
- Power: 12V DC-IN



IoT Solutions
Alliance
Industrial Solution
Builders Specialist

Introduction

The Maxtang SBC-BYT35 V2.0 is an embedded motherboard based on the Intel Bay Trail processor, provides powerful performance with low power consumption. Supports Single Channel SO-DIMM DDR3L up to 8GB, display via HD Graphics through HDMI, VGA, and eDP/LVDS. Features two 10/100/1000 Mbps Ethernet controllers, mSATA, SATA2.0 for storage. Micro-SIM for expansion, mini-PCIe for WiFi. A rich input/output interface includes 6x COM, 1x USB3.2, 7xUSB2.0, 8x GPIO, Audio Ports (Mic-in+ Line-out) with 4 pin power 12V DC-IN caters to most market's requirements.

The SBC-BYT35 is an ideal solution for various industrial applications. It retains the robust design of all Maxtang product lines at a new cost-effective price point. Its powerful features provide you with a great user experience, increase your productivity with stability, reliability. Maxtang is a member of the Intel IoT Solutions Alliance on Industrial Solution Builders Specialist. Our goal is to provide you with the best products with high quality and cost advantages.



H/W Monitor



Watchdog

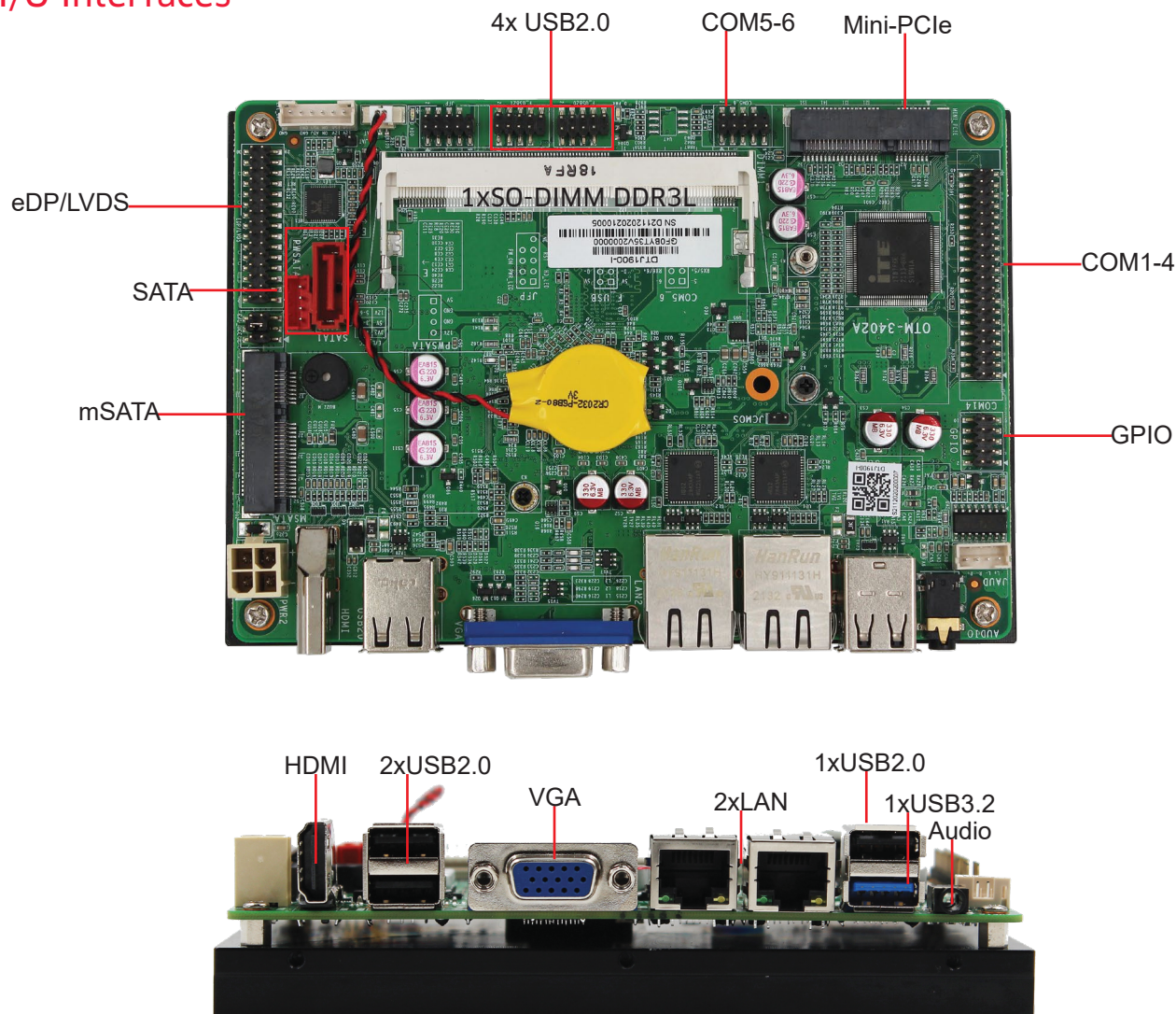


GPIO



Brightness

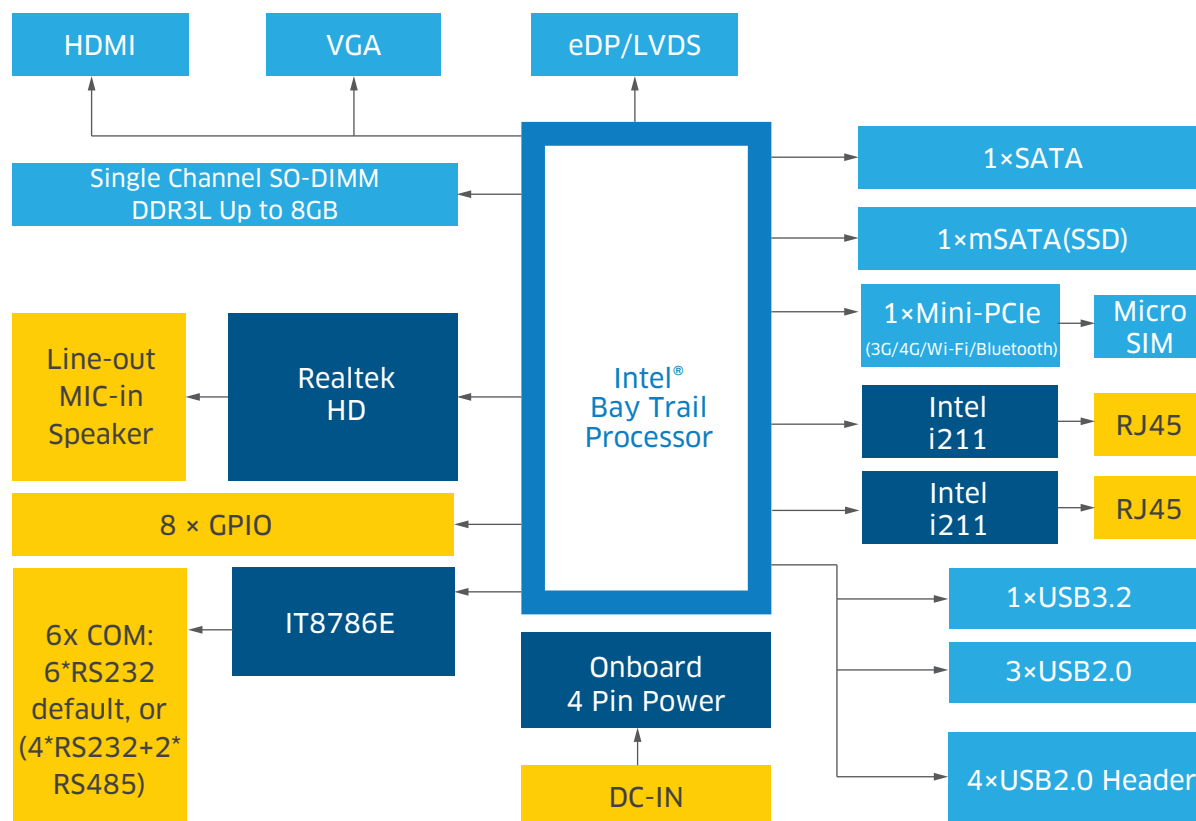
I/O Interfaces



Technical Specifications

Processor	CPU	J1800	J1900	N2940	
	Base Frequency	2.41 GHz	2.00 GHz	1.83 GHz	
	Burst Frequency	2.58 GHz	2.42 GHz	2.25 GHz	
	Cache	1MB L2	2MB L2	2MB L2	
	BIOS	AMI UEFI BIOS			
Memory	Type	Single Channel SO-DIMM DDR3L			
	Max. Capacity	8 GB			
Display	GPU	Intel Integrated Graphics based on CPU			
	Type	1xHDMI + 1xVGA + 1xeDP/LVDS			
Ethernet	Speed	10/100/1000 Mbps			
	Controller	Intel i211			
	Interface	RJ45			
Audio	Audio codec	Realtek HD			
	Interface	1xCTIA Line-out+Mic-in (2-in-1), Supports power amplifier			
Hardware	CPU system temperature, on-board voltage, watchdog				
Storage	mSATA	1x mSATA for SSD			
	SATA2.0	1			
Expansion	Mini PCIe	1x mini PCIe for Wi-Fi/4G/Bluetooth			
	Micro SIM	1			
I/O Interface	LAN	2			
	COM	6*COM: 6*RS232 default or 4*RS232+2*RS485(COM5,COM6) The COM5,COM6 are 2-wire serial communication			
	USB2.0	7(3*Port+4*Header)			
	USB3.2	1			
	GPIO	8			
	Audio	1 (Mic-in+Line-out)			
	Dimension	Size	146 mm x 102 mm		
		Board type	3.5" Disk Size SBC		
	Power	Standard Port	12V DC-IN 4-Pin Power		
		Peripheral Input	For SATA power		
LED Indicator		Power Indicator			
Temperature	Operating Temp.	-20°C to 60°C			
	Storage Temp.	-40°C to 80°C			
Operating System	Win 7, Win 10 32/64bit, Linux				

Functional Block Diagram



Order Information

Model Name	Description
DTJ1900-I	DT 3.5INCH Intel Celeron J1900 BYT35V2 2LAN 6*232 SODIMM LVDS
DTJ1900-I-485	DT 3.5INCH Intel Celeron J1900 BYT35V2 2LAN 4*RS232 2*RS485 SODIMM LVDS

*For customized options, please consult regional sales. And please confirm the model name and description before purchasing. *The model name and description might vary due to inventory changes.