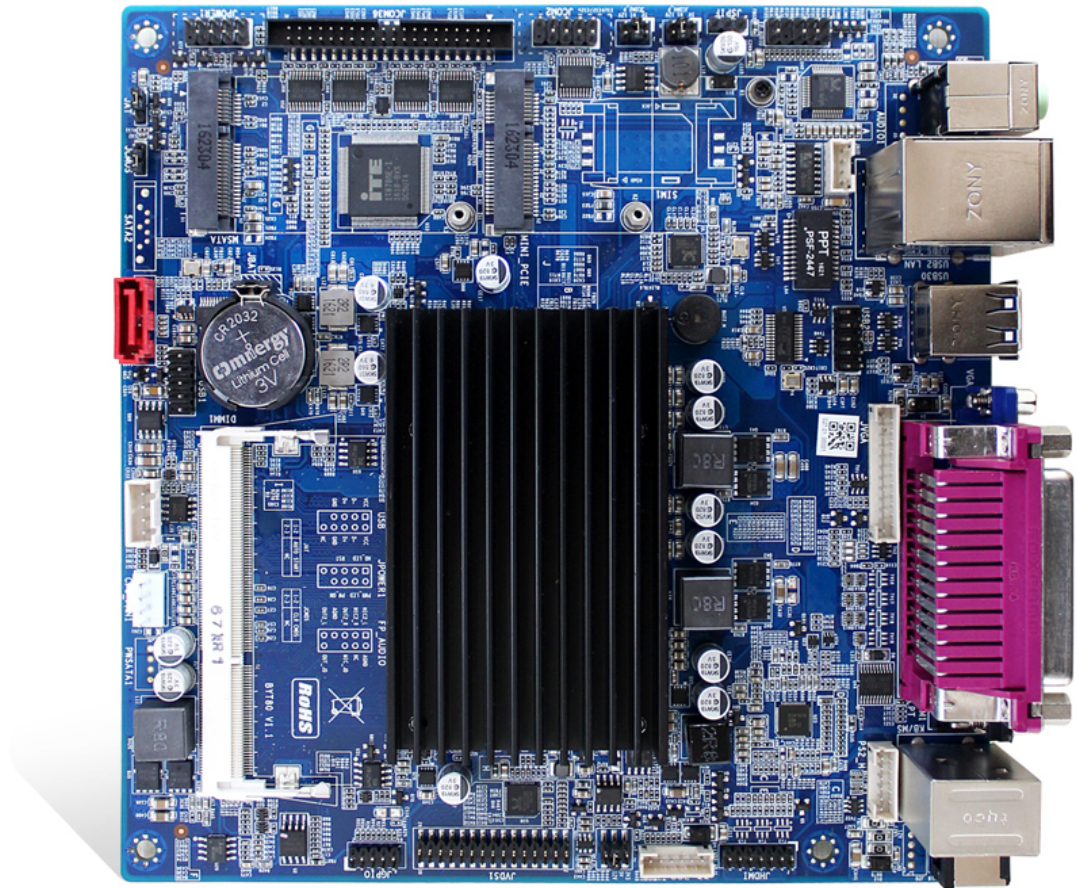


# mITX-BYT70

## Mini-ITX Intel® Bay Trail-D/M Embedded Motherboard



### Features

- Intel Bay Trail-D Celeron processor, fanless design
- Single channel DDR3L up to 8GB
- Intel HD Graphics, display interfaces: VGA
- 10/100/1000Mbit ethernet card
- SATA2.0, mSata, Mini-PCIe
- ATX input



IoT Solutions  
Alliance

**Maxtang**

MAXIMIZING YOUR COMPUTING PRODUCTIVITY

## Introduction

The MITX-BYT70 is a small form factor embedded motherboard. Built with Intel Celeron J1900 (2.00GHz, quad-core, TDP10W) or Celeron J1800 (2.41GHz, dual-core, TDP10W) which offers low power. This motherboard supports full HD 1080p playback via VGA interface, and it carries 1\* single-channel DDR3L 1333 up to 8GB RAM to add higher bandwidth and lower latencies for processing. It also features RTL8111F, 10Mbps/100Mbps/1000Mbps, 1 x LAN which makes this embedded system an ideal for applications like network security, firewall.

This compact mini embedded motherboard also has rich I/O interfaces as 1x VGA port(12 Pin header reserved), 2 x USB3.0, 2 x USB2.0, 1 x LAN, 1x Mic in, 1x Line out , catering to most requirements in the market. This Celeron J1900 or J1800 based mini motherboard is designed to be high quality, reliable and secure.



H/W Monitor



Watchdog



GPIO

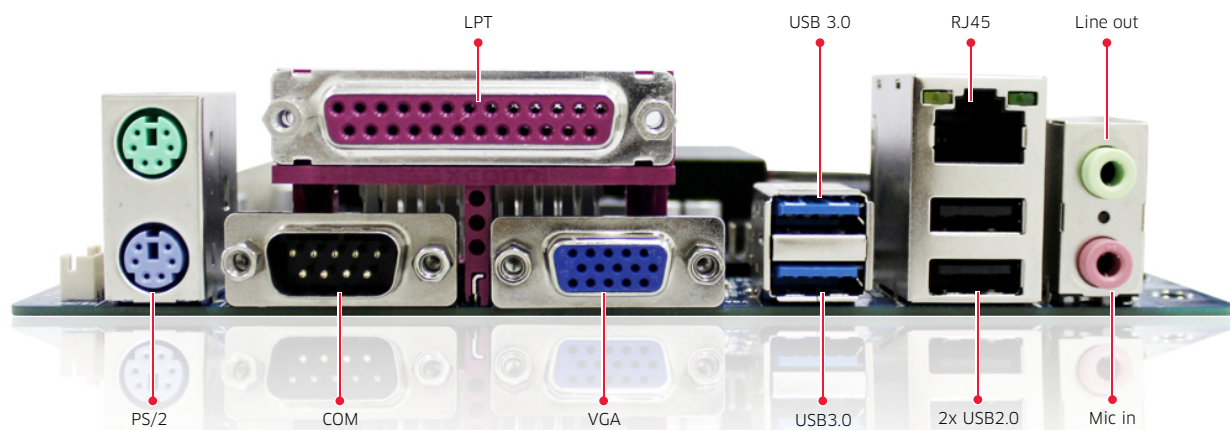


Brightness

## Applications

- Digital signage - Low power, multi-display
- POS/POI - Lower power, high performance
- Industrial automation - Rich I/O, long cycle
- Embedded control systems

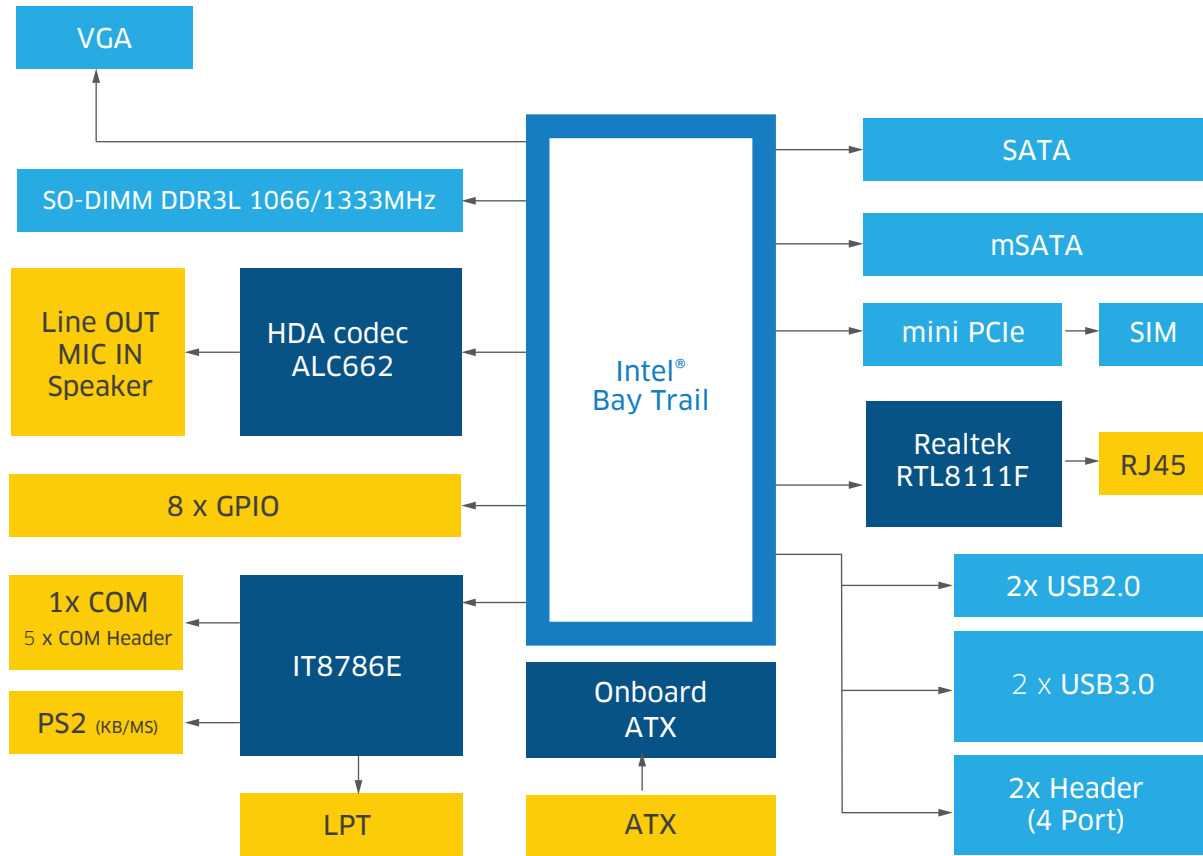
## I/O Interfaces



## Technical Specifications

Processor	CPU	Celeron J1800	Celeron J1900
		Core frequency	2.41 Ghz, dual core
	Turbo frequency	2.58GHz	2.42 GHz
	Cache	1MB	2MB
	BIOS	AMI 8MB UEFI BIOS	
Memory	Type	Single channel 1x DDR3L 1333MHz	
	Max.	8GB	
Display	GPU	Intel HD Graphics	
	VGA	Yes	
	Dual display	VGA+VGA PINS	
Ethernet	Speed	10/100/1000Mbps	
	Controller	Realtek RTL8111F	
	Interface	1× RJ45	
	Wake on LAN	Yes	
Audio	Audio codec	Realtek HD ALC662	
	Interface	Line-out, MIC-in, audio header, 1xSPDIF header	
Hardware		CPU system temperature, onboard voltage, watchdog, Auto power on	
Storage	SATA2.0	1x SATA2.0	
	mSATA	1x mSATA	
Expansion	Mini-PCIe	1xMini-PCIe (supports WIFI, 3/4G ethernet)	
Rear Panel I/O	Audio	1x Line-out, 1x MIC-in	
	LAN	1(10/100/1000Mbps)	
	USB2.0	2	
	USB3.0	2	
	VGA	1	
	RS232	1	
	LPT	1	
	PS/2	1	
I/O header	RS232	5 x RS232	
	USB2.0	4 x USB2.0	
	I/O	8x GPIO	
	eDP	1x eDP	
	PS/2_H	1x PS/2_H	
Power	Standard port	ATX POWER	
	Peripheral	For fan and SATA	
Mechanical & Environmental	Type	Mini-ITX	
	Size	170mm x 170mm (L x W)	
	Operating Temp.	-40°C ~60°C	
	Storage Temp.	-40°C ~85°C	
Operating System		Win7/8/8.1/10 32/64bit, Linux 32/64 bit	

## BYT70 Functional Block Diagram



## Ordering Information

Model	CPU	Memory	VGA	LAN	Audio	RS232	USB3.0	USB2.0	SATA2.0	MiniPCIe	mSATA	Power	Cooling
DTJ1900-C	J1900 10W	SO-DIMM DDR3L	1	1	Yes	6	2	6	1	1	1	ATX	Passive
DTJ1800-C	J1800 10W	SO-DIMM DDR3L	1	1	Yes	6	2	6	1	1	1	ATX	Passive
Customized	ODM/OEM is available.												

Copyright © 2018 Maxtang Technology Co., Ltd. All rights reserved. All data is for information purposes only and not guaranteed for legal purposes. Information has been carefully checked and is believed to be accurate however, no responsibility is assumed for inaccuracies. Maxtang and the Maxtang logo and all other trademarks or registered trademarks are the property of their respective owners and are recognized.